



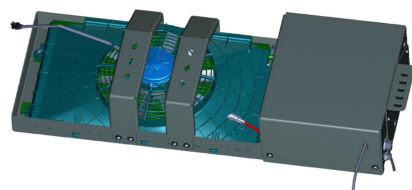
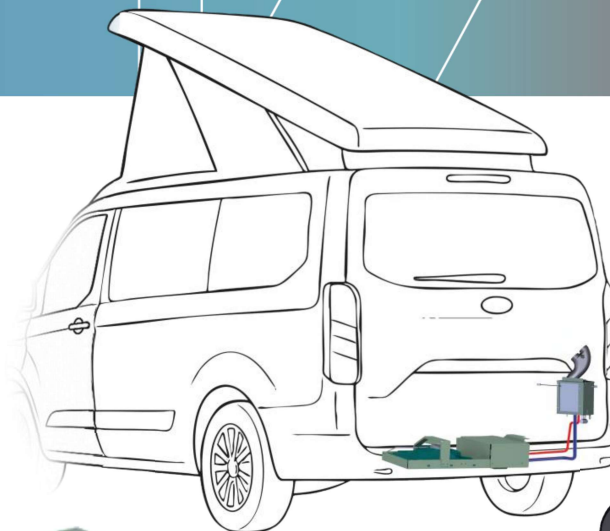
INTECO: INTEGRATED AIR CONDITIONING

Feb | 2026

PRODUCT | *Mercedes Moreno*



COMPONENTS:



OUTDOOR UNIT

Compressor & condenser



INDOOR UNIT

Evaporator & blower (w/diffuser)



CONTROL

Touchscreen / App

External communication: 2 m
(quick connectors incl.)

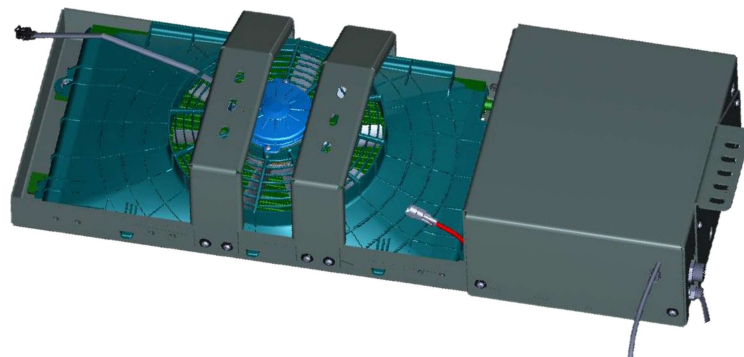
Internal communication: 5 m

IMPORTANT: Air distribution ducts, as well as adjustable outlets or associated drive and diffusion elements, are not included.
Drain pipe length: 2m



OUTDOOR UNIT:

ANCHOR POINTS



INTERESTING DATA:

Dimensions:

Length: 957 mm

Width: 382 mm

Height: 194 mm

Weight:

22 kg (aprox)

Material

Painted aluminium

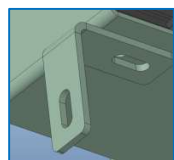
- RAL 9005





INDOOR UNIT:

ANCHOR POINTS



Sliding
bracket
(10 mm)



INTERESTING DATA:

Dimensions:

Depth: 270 mm

Width: 363 mm

Height: 380 mm

Weight:

11 kg (aprox)

Material:

Painted galvanized sheet metal



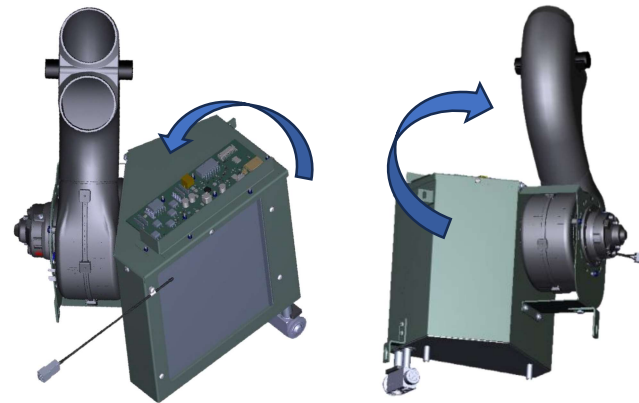
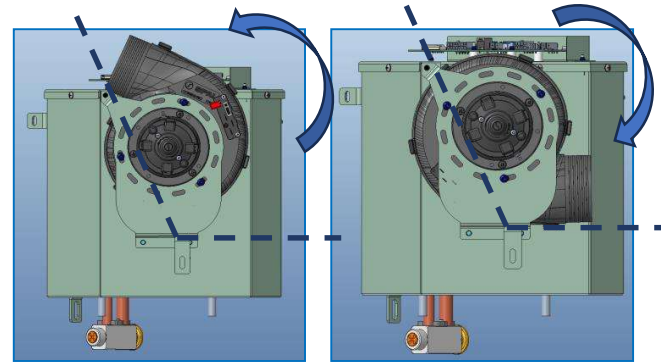
INDOOR UNIT:

DIFFERENT MOUNTING OPTIONS



View with the diffuser mounted on the blower

Extreme blower positions:
156° rotation angle between both positions



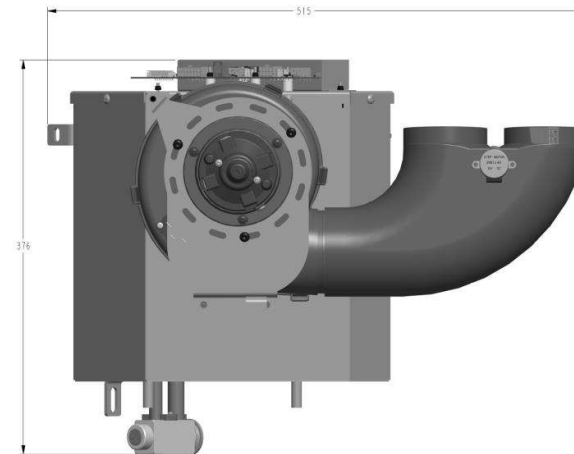
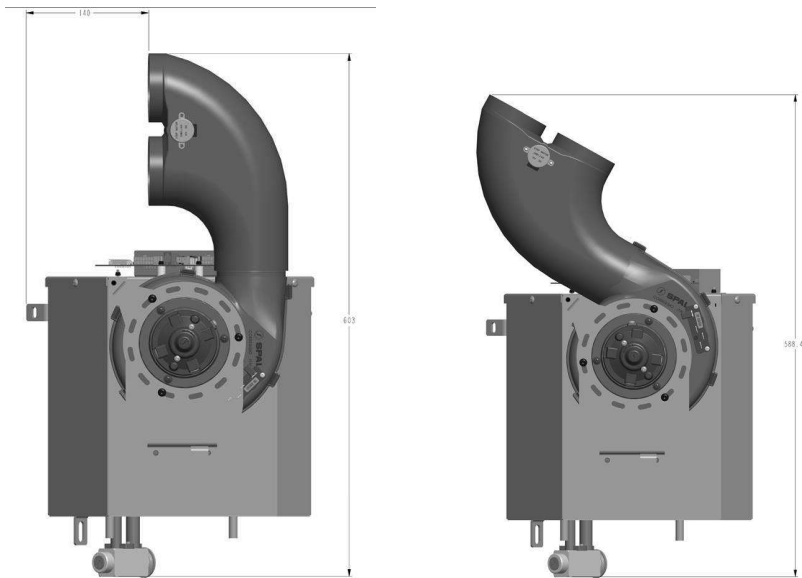


INDOOR UNIT:

DIFFERENT MOUNTING OPTIONS

Maximum height with the blower in extreme position : 603 mm

Maximum width with the blower in extreme position : 515 mm

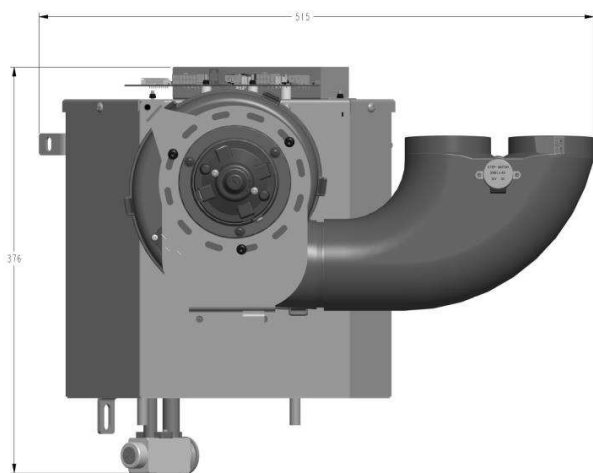




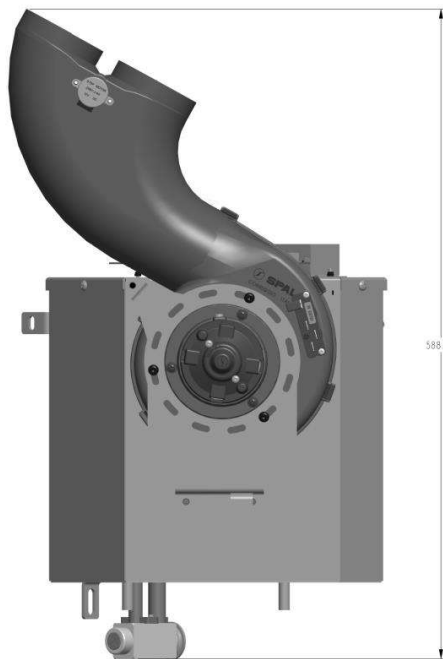
INDOOR UNIT:

DIFFERENT MOUNTING OPTIONS

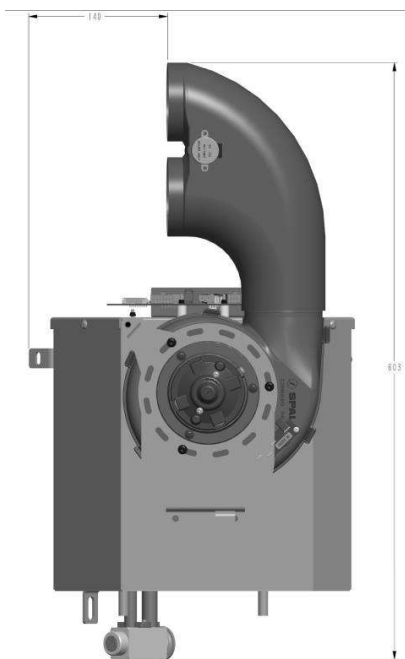
Dimension with blower + diffuser:



Side view, 0° angle, left orientation

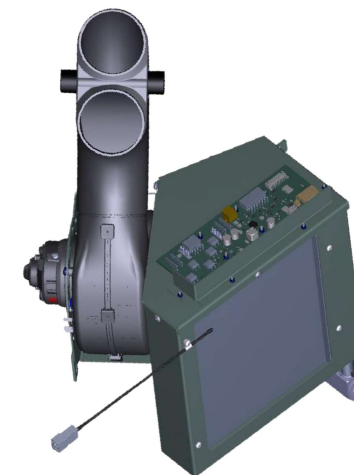


Side view, 60° angle, right orientation



Side view, 90° angle, left orientation

Front view, 90° angle,
right orientation





CONTROL:

TOUCHSCREEN ASSEMBLY



INTERESTING DATA:

Dimensions

Length: 120 mm

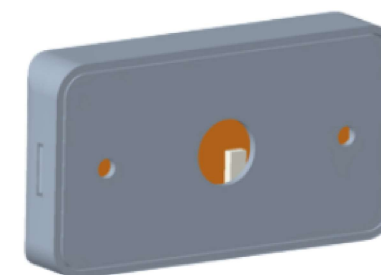
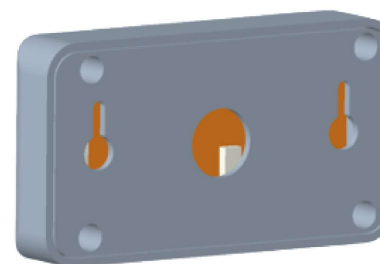
Width: 22,5 mm

Height: 65 mm



** Preliminary view*

Installation in vehicle to be defined.





INDOOR UNIT:



MAIN FEATURES

- 12V Air Conditioning System
- Integrated assembly: outdoor unit under chassis and indoor evaporator unit.
- HMI: touchscreen and bluetooth App (iOs & Android)
- Use: night and/or day
- Refrigerant: R-1234yf. Pre-charged:
 - According to the new European regulation
 - GWP 4 (-99% compared to the old R-134a refrigerant)
 - No risk of future European bans
- 2 configurations available: 1.2 and 2.0
 - Configuration 1.2 → minimize outer noise
 - Configuration 2.0 → maximize power

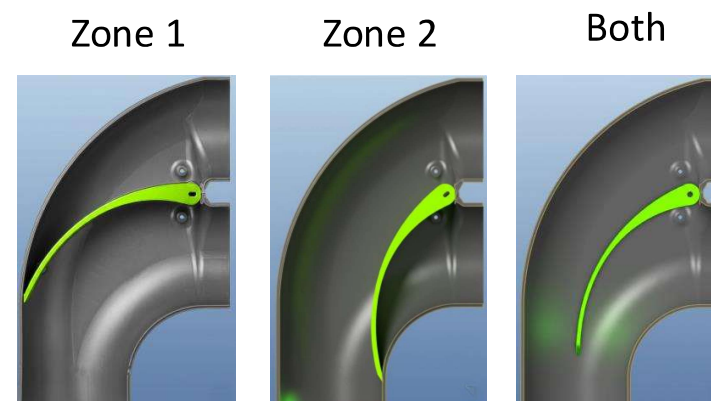


INDOOR UNIT:



MAIN FEATURES

- Configuration 1.2:
 - 1.200 W according to ISO5151:T1
 - Maximum consumption: 39 A
- Configuration 2.0:
 - 1.900 W according to ISO5151:T1
 - Maximum consumption: 56 A
- 3 Operating modes: AUTO, ECO & MANUAL
- 6 blower speeds available
- 2 Cooling Zones. Choose available between: zone 1, zone 2 or both.





INDOOR UNIT:



PRINCIPALES CARACTERÍSTICAS

- Temperature set: from 18°C to 30 °C in 0,5°C intervals.
- Maximum airflow: 300m³/h
- LVD available: Li, Pb o none.
- ON – OFF Timer available up to 18h
- App and remote control working simultaneously and interchangeably at the same level
- System alarms / warnings:
 - “Guardian mode”, warning message within the menu



INSTALLATION EXAMPLE:



VEHICLE



OUTDOOR UNIT

Evaporator & blower



AIR VENTS

Upper
Zone



INDOOR UNIT
Compressor & condenser



AIR VENTS
Lower
Zone





NOAH CAMPER INSTALLATION:



Installation in a Mercedes Sprinter van





CONTACT: <https://bergstromcaravaning.com/en/integrated-air-conditioning/>



Axel Mithöfer

Sales

EMAIL: amithoefer@dirna.bergstrominc.com

TELF 0049 511 866 796 81 EXT 0049 151 50454325



Frank Peters

Sales

EMAIL: salesrv@dima.bergstrominc.com

Mobile: +49 172 7468 078



José Ignacio Franco

Sales

EMAIL: ijfranco@dima.bergstrominc.com

TELF +34 918775840 EXT 252

MOBILE +34 682343407



Adolfo Sánchez

Marketing and Communication

Email: asanchez@dima.bergstrominc.com

Mobile: +34 628672793



Bergstrom[®]

Dirna Bergstrom S.L., C/Francisco Alonso 11A
28806 Alcalá de Henares (Madrid), España

W. www.bergstrominc.com/es