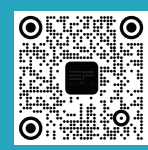


ECOFLOW

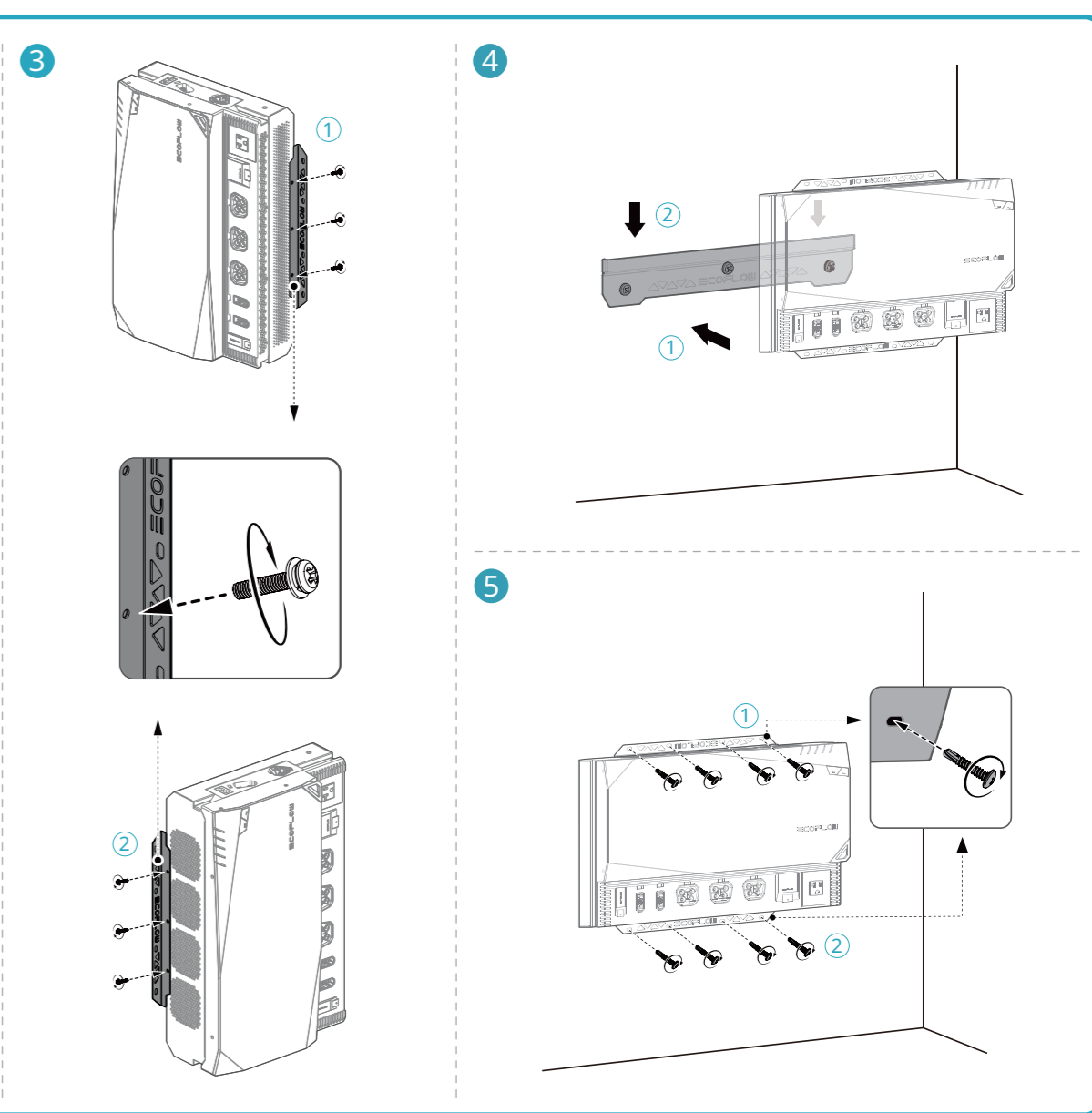
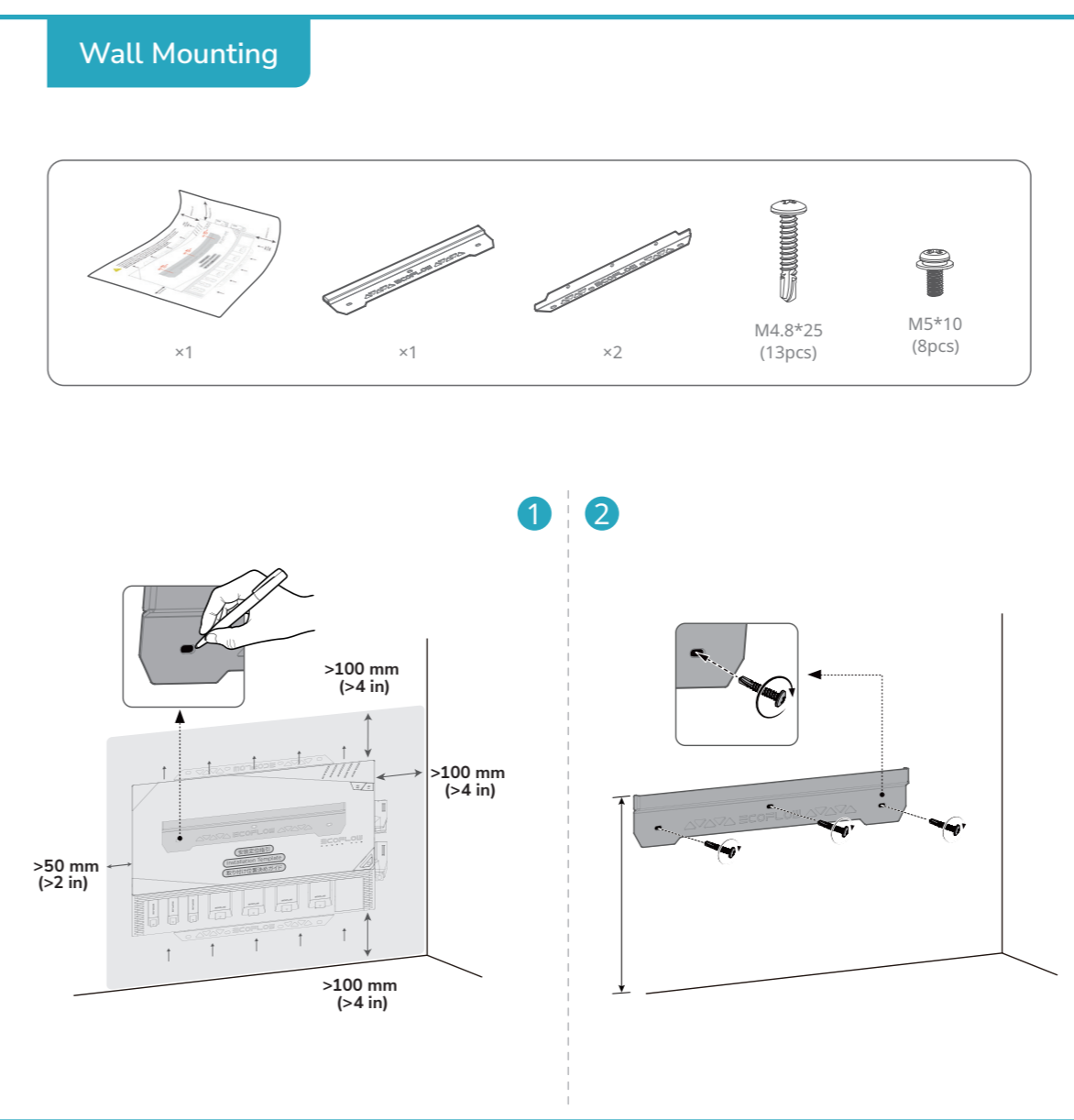
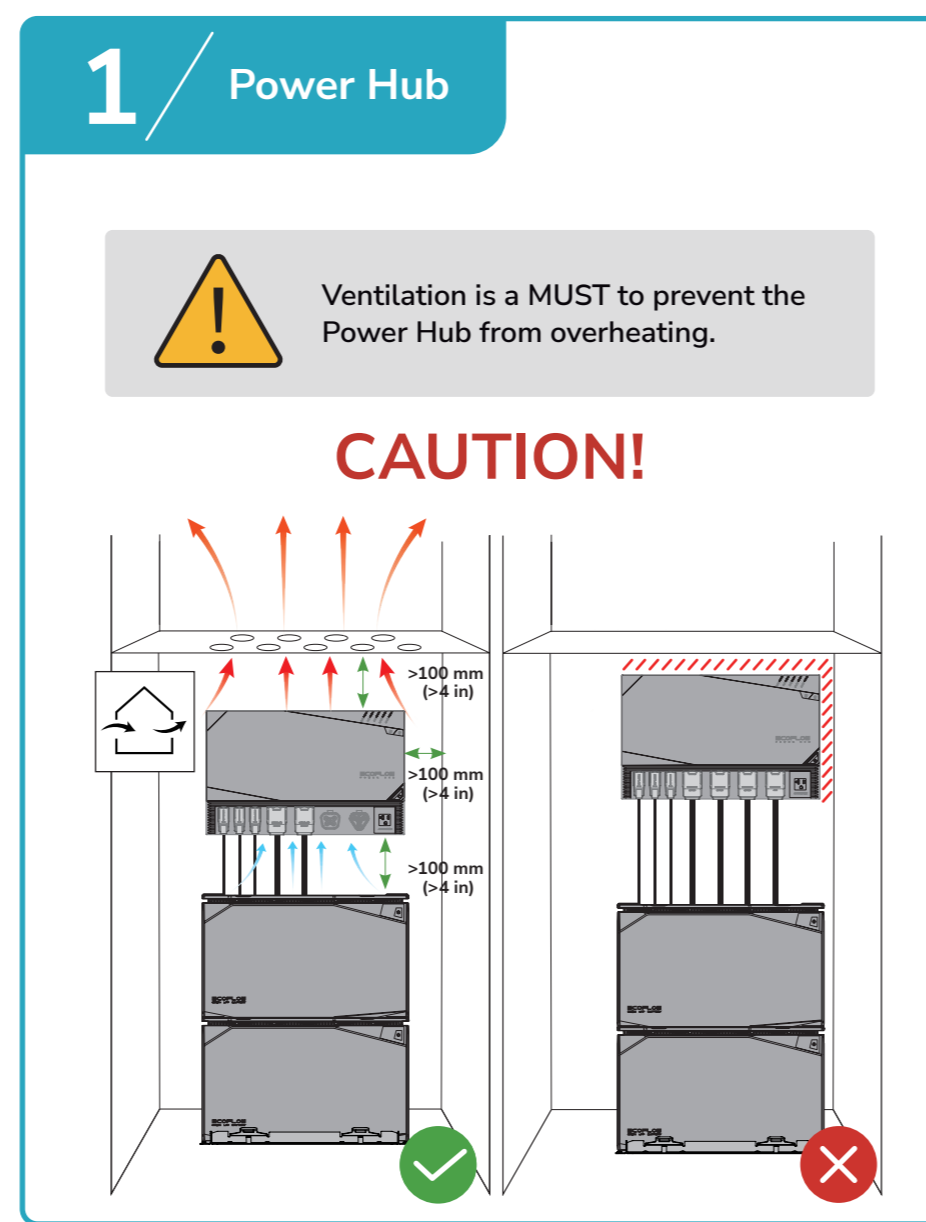
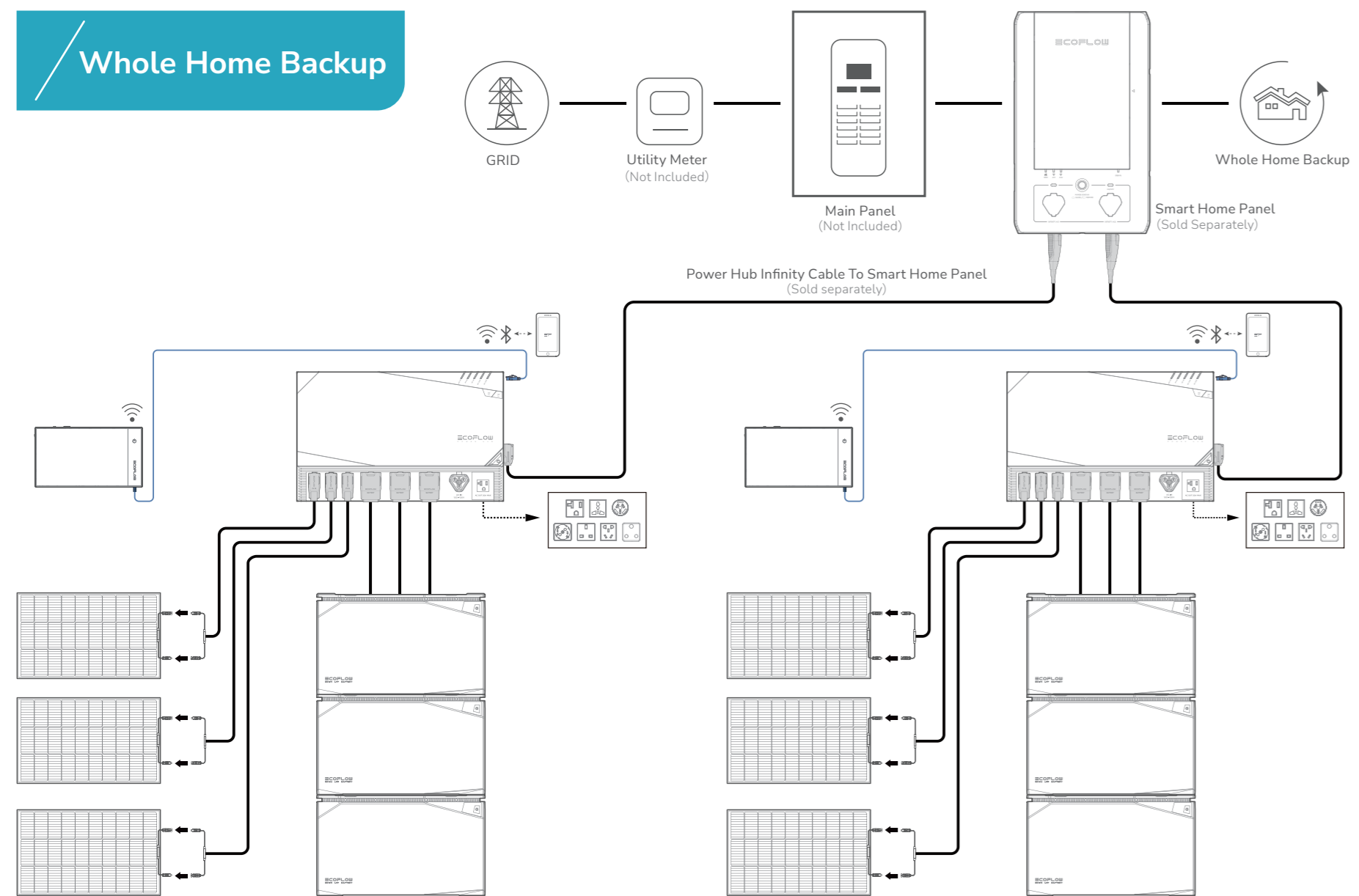
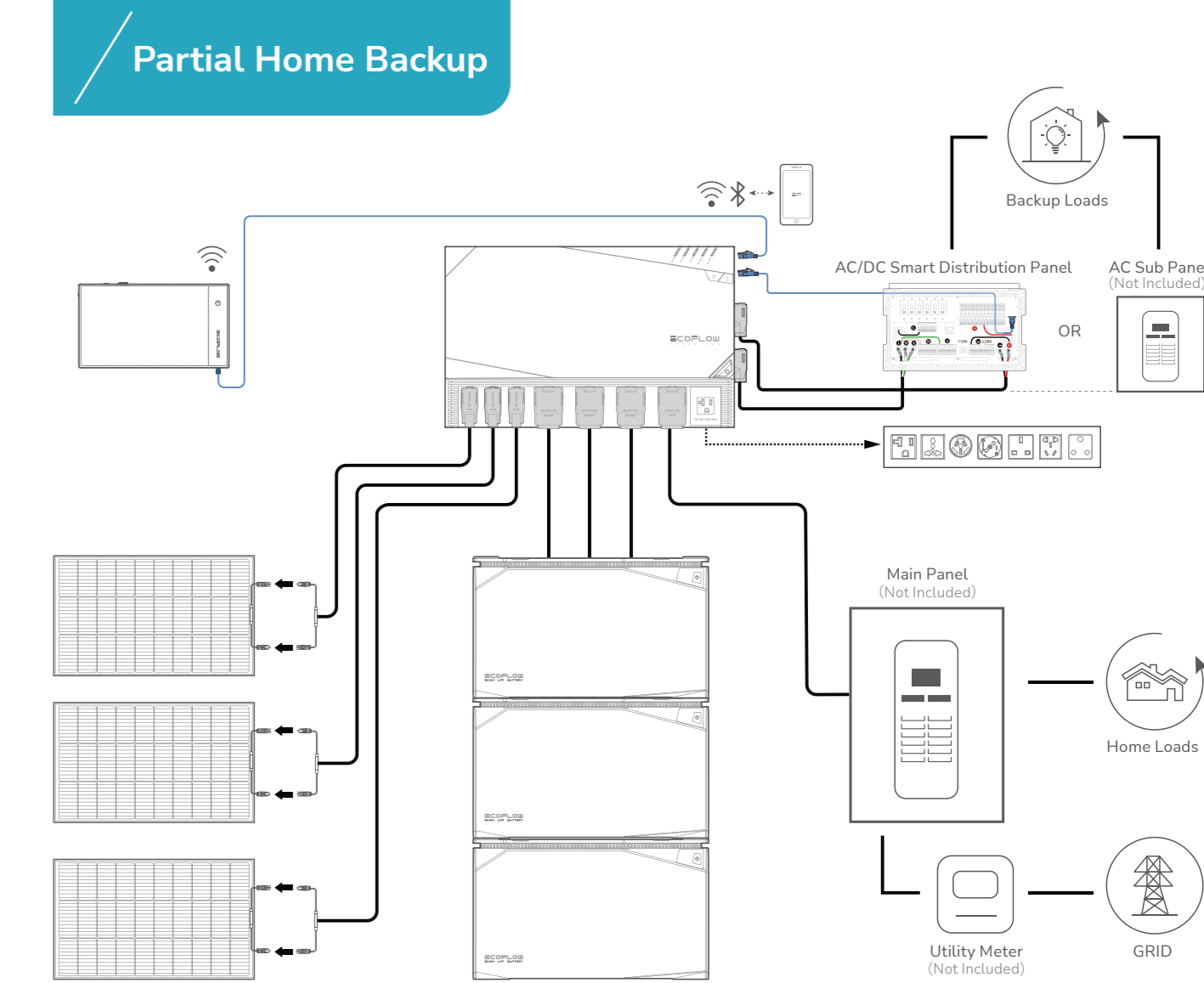
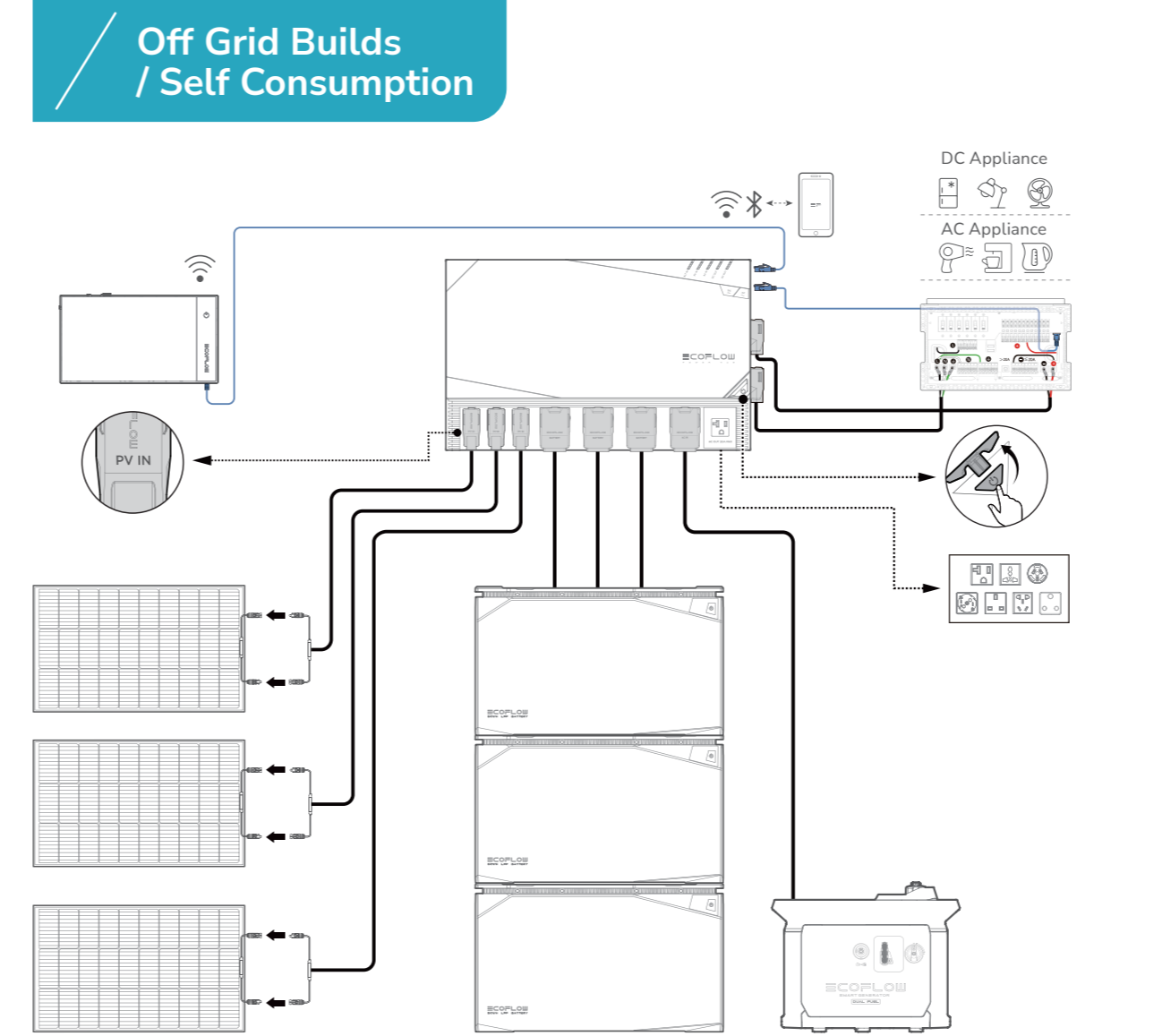
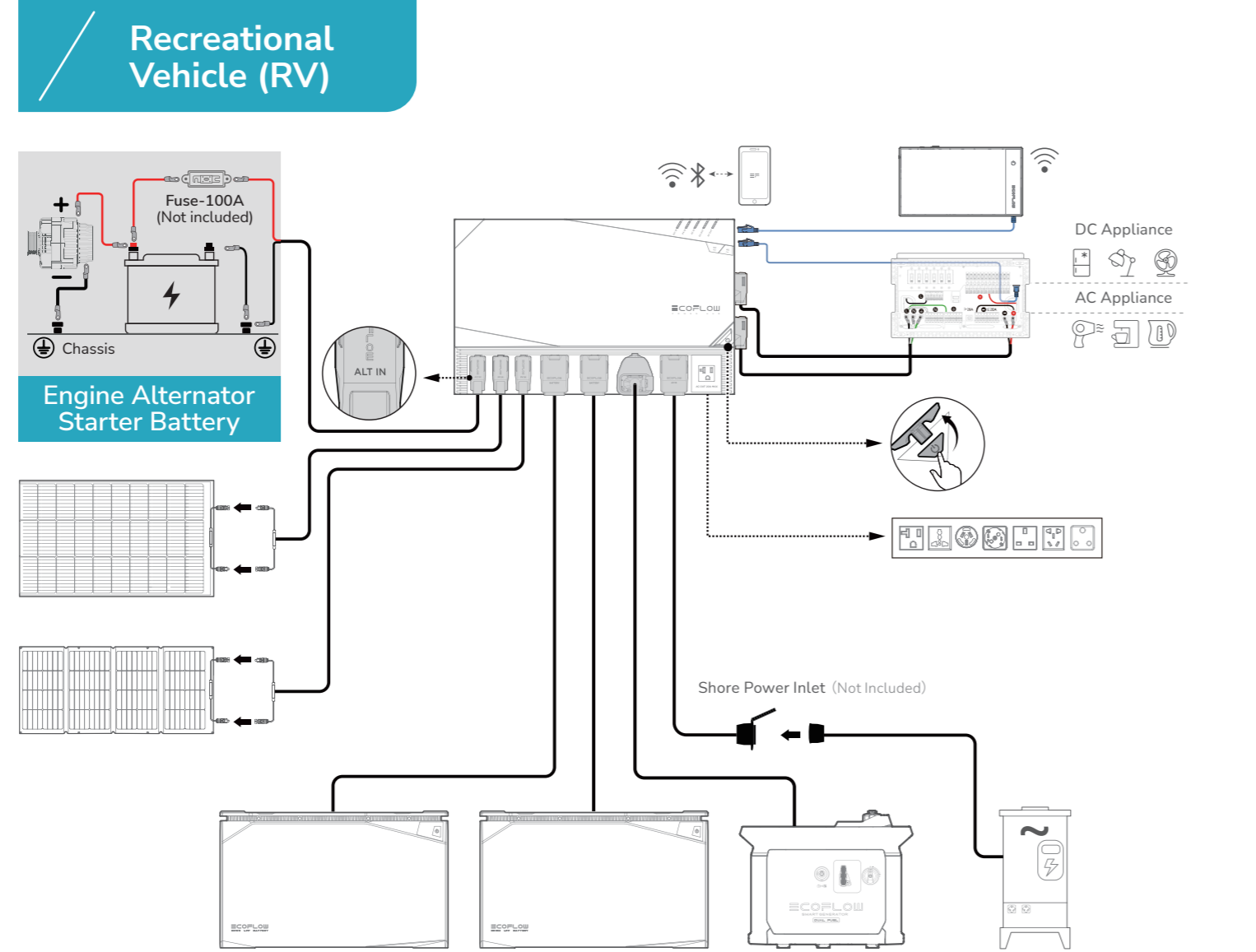
QUICK START GUIDE



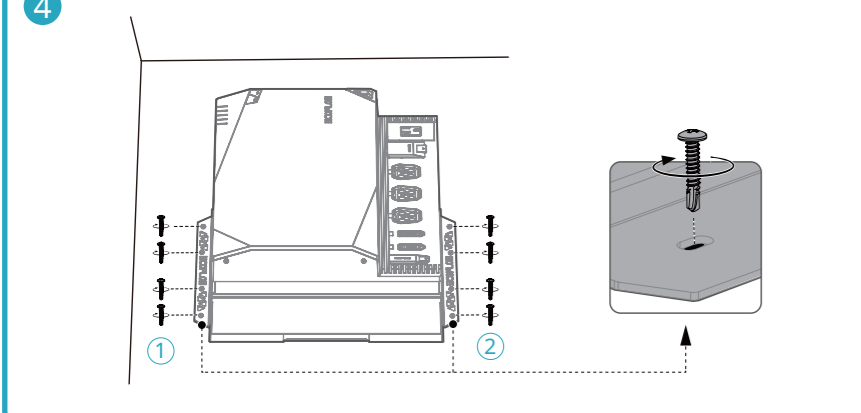
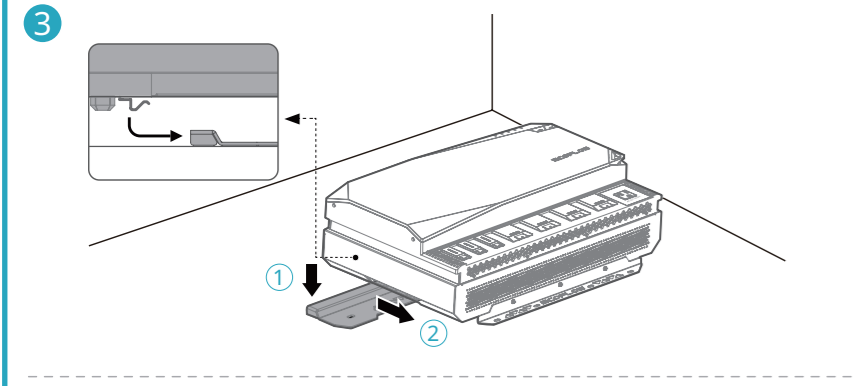
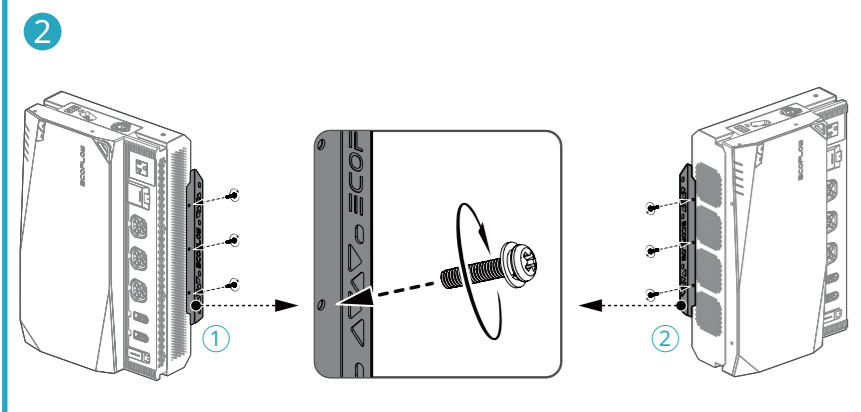
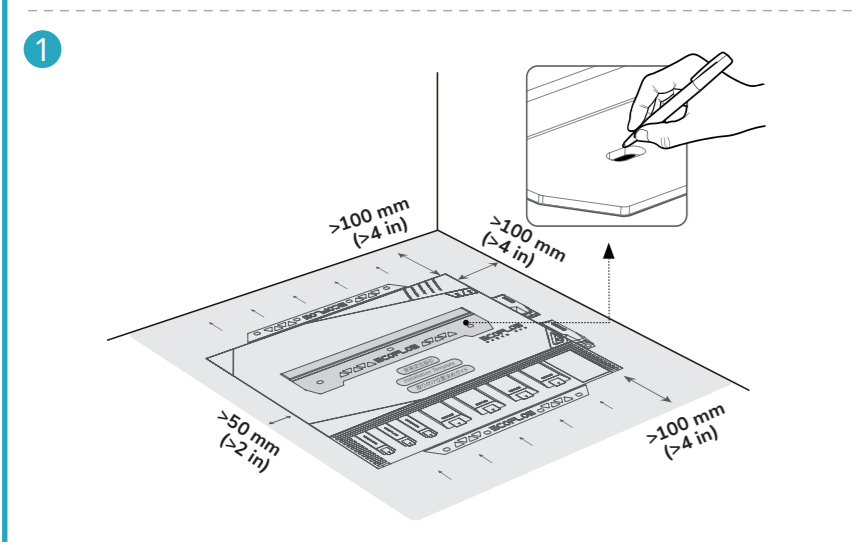
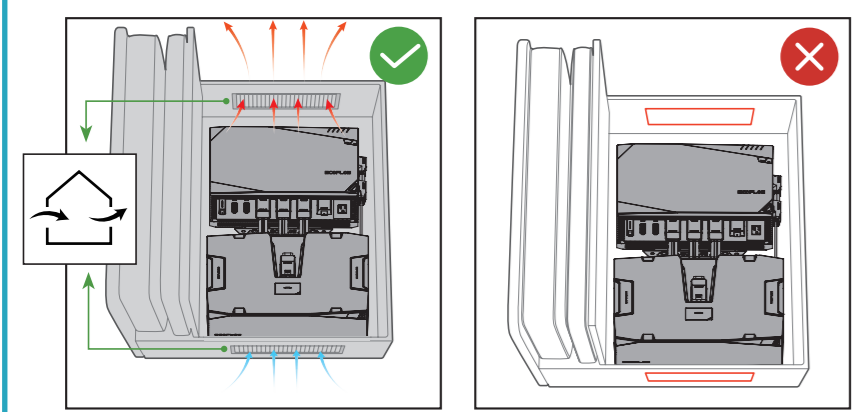
For details, please scan the QR code or visit <https://www.ecoflow.com/support/download/power-kits>



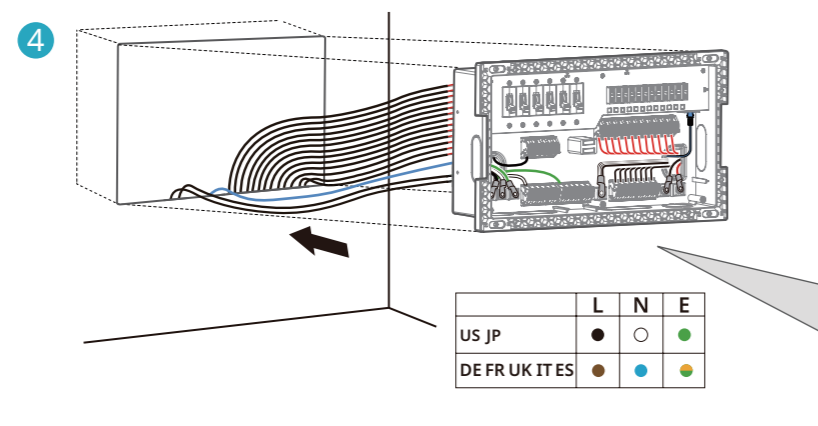
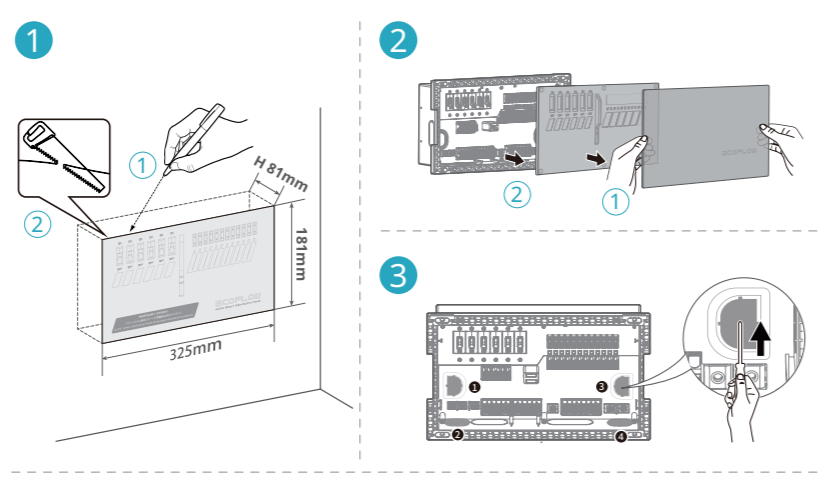
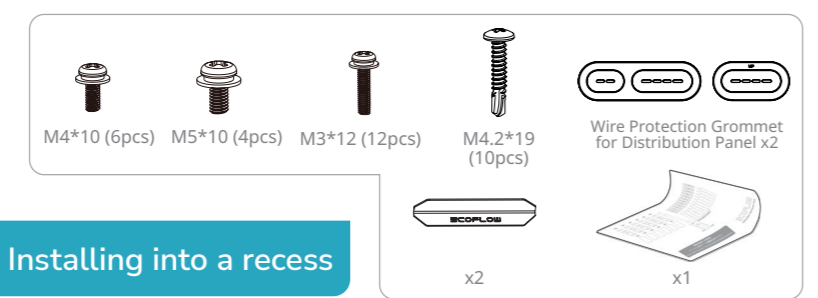
Raccorta carta



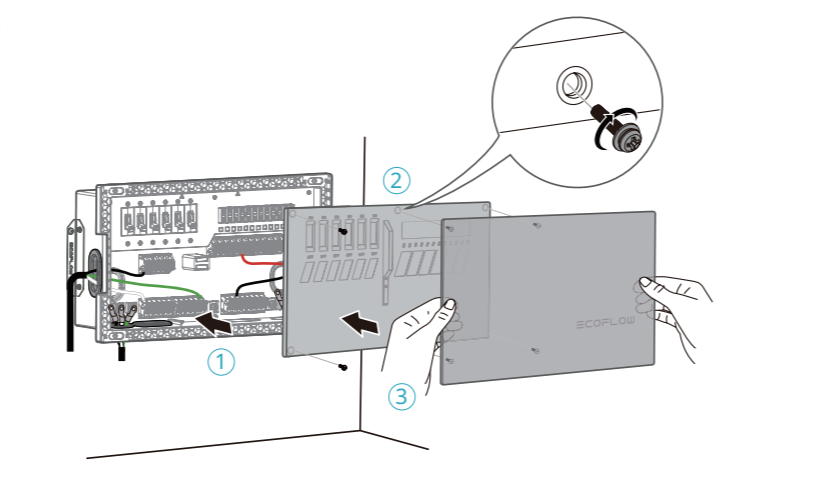
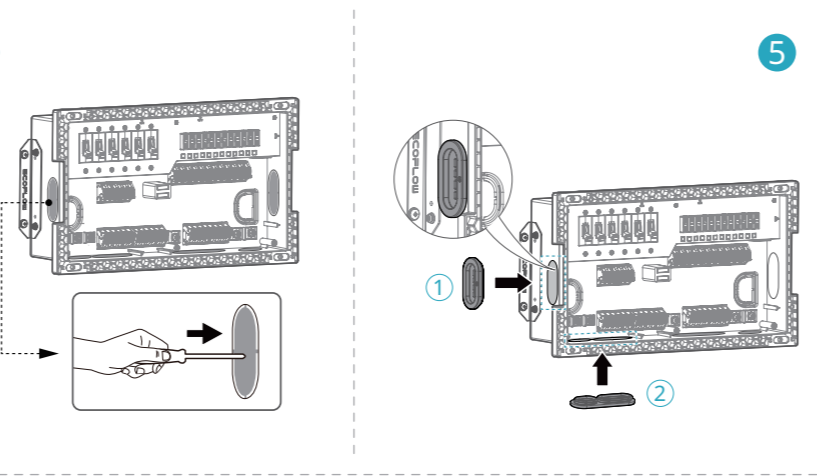
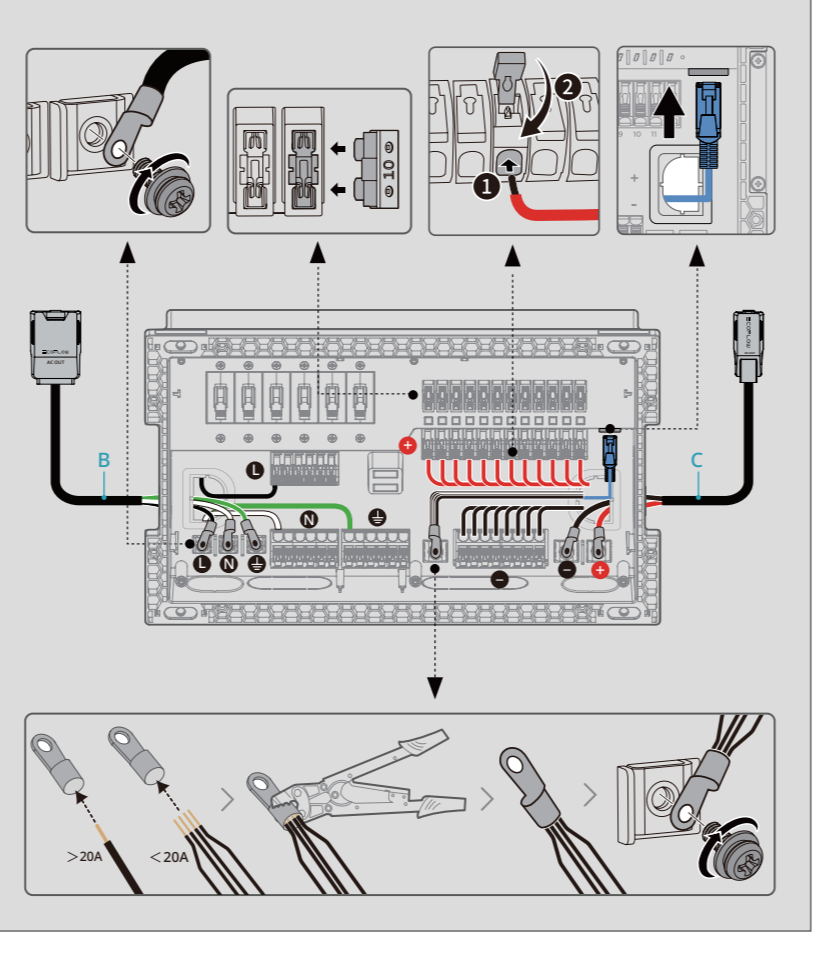
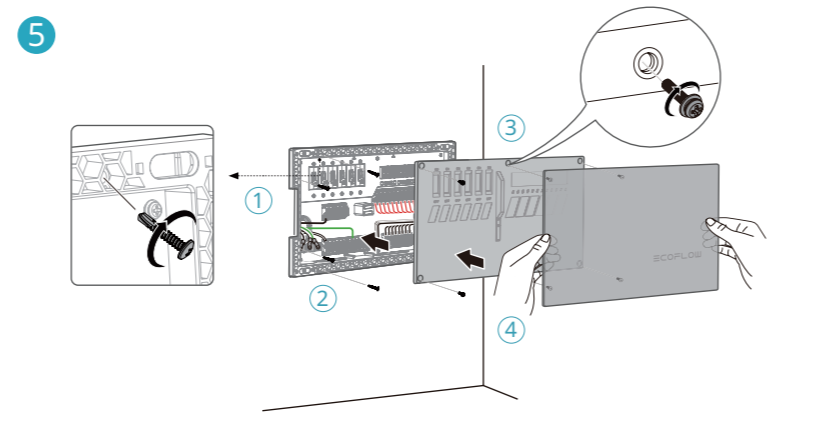
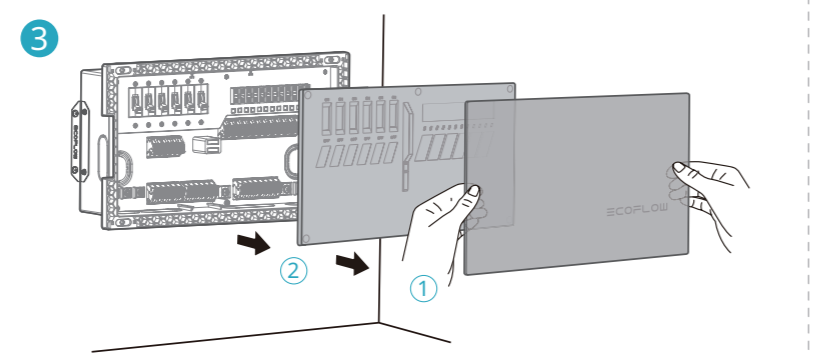
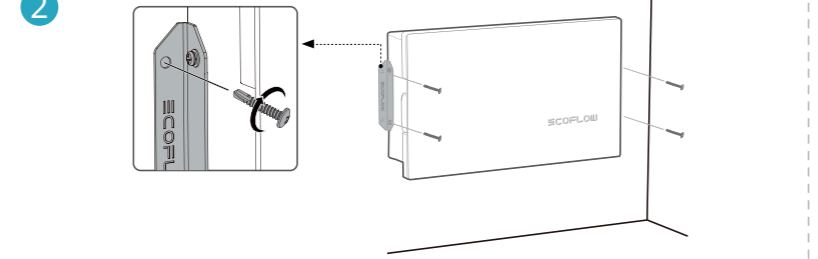
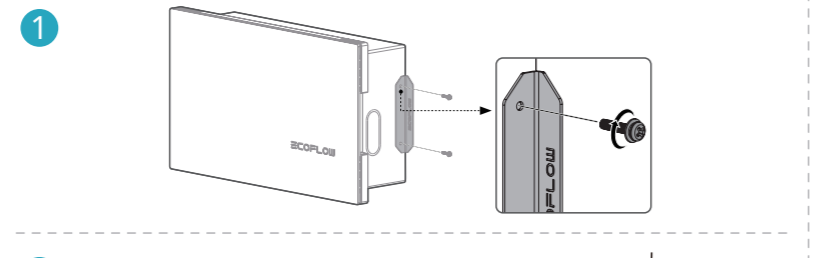
Surface Mounting **CAUTION!**



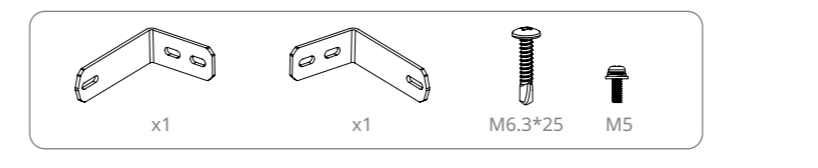
2 / AC/DC Smart Distribution Panel



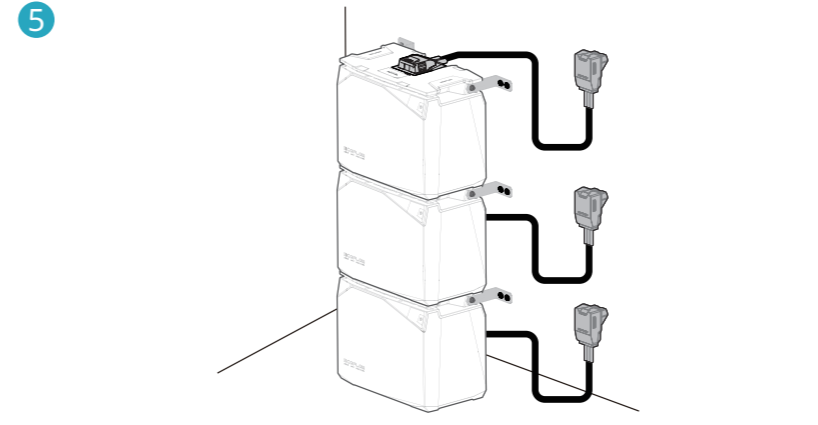
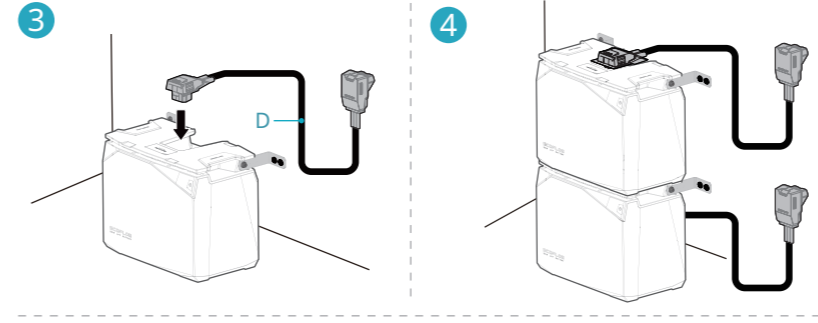
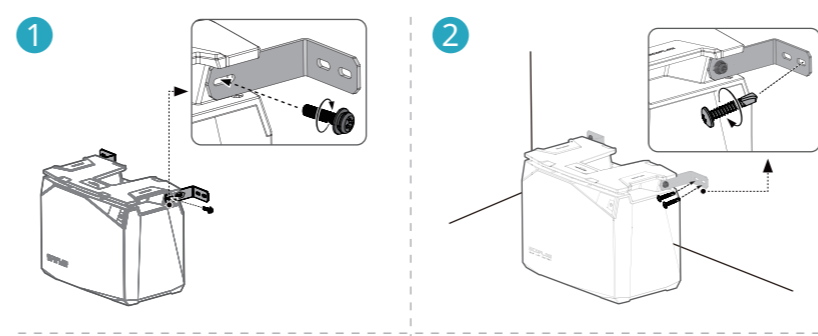
Wall Mounting



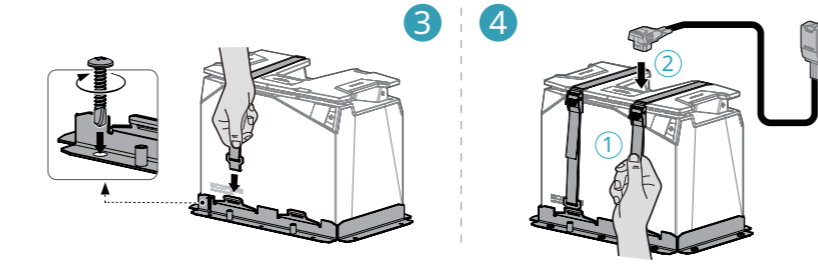
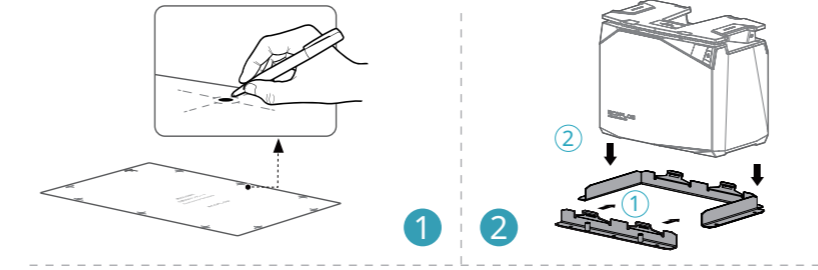
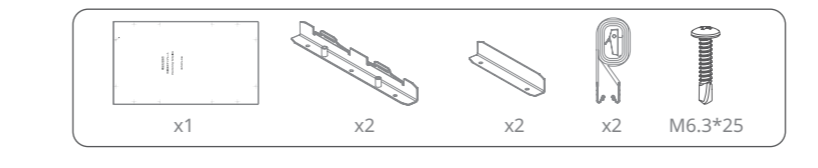
3 / 2KWh / 5KWh LFP Battery



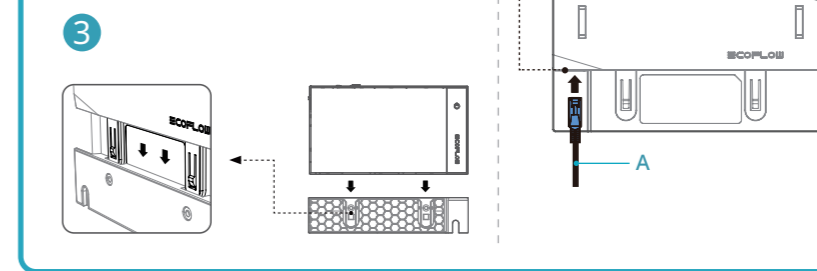
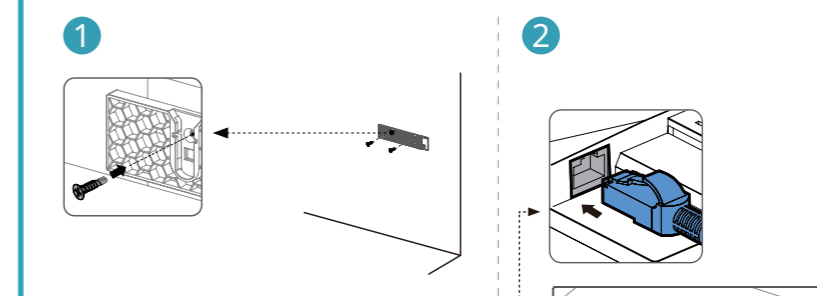
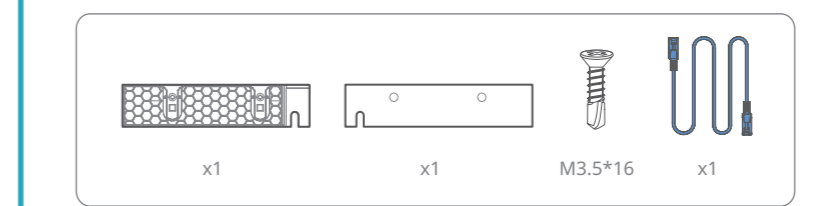
Stacking Installation



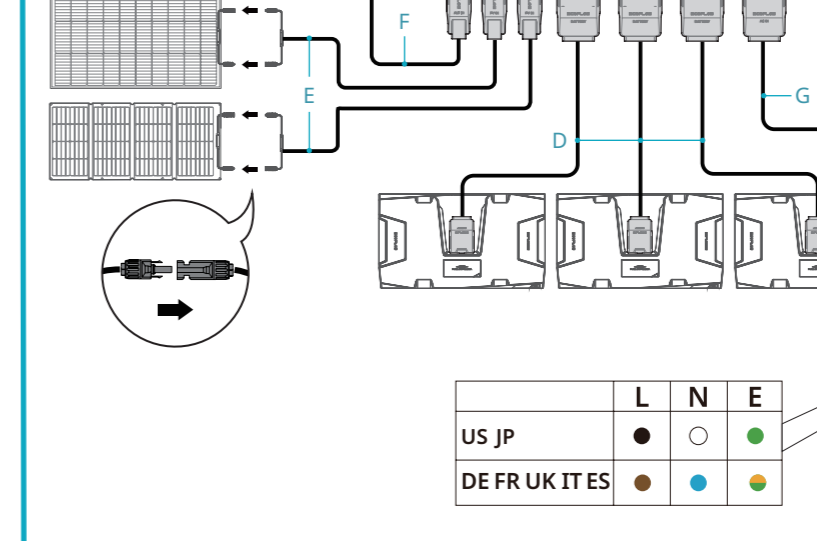
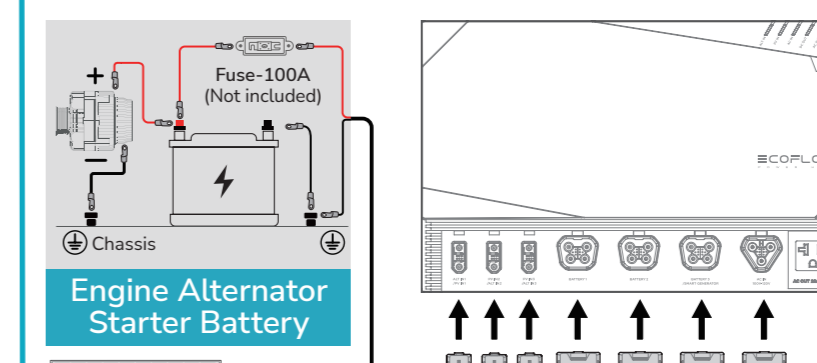
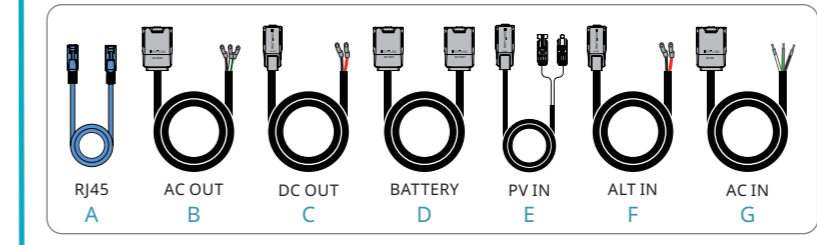
Surface Mounting



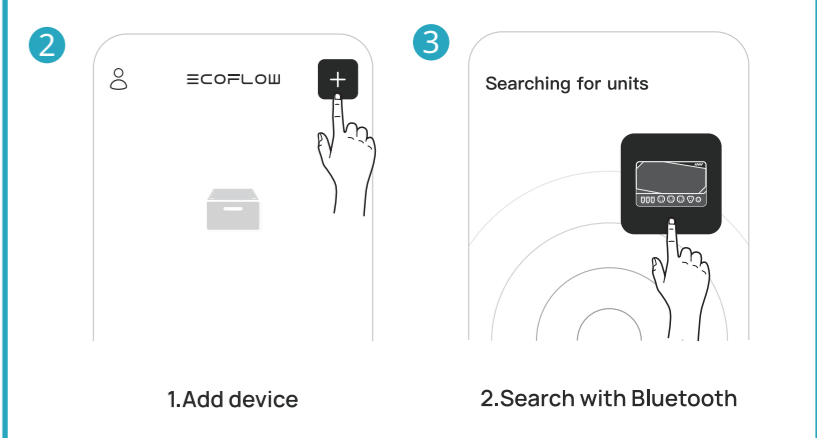
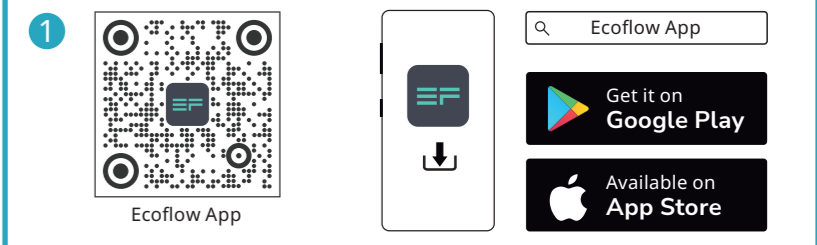
4 / Power Kit Console



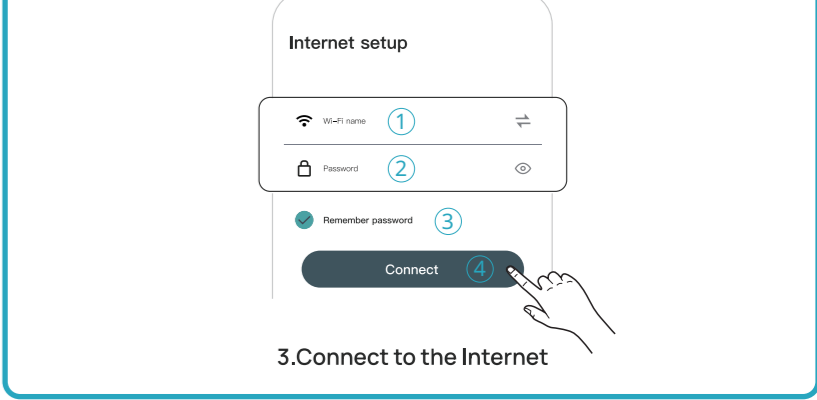
5 / Connecting Components



6 / EcoFlow App



4 ONLY SUPPORTS 2.4GHz WIFI



CAUTION!

Each port can be connected to AC/DC Smart Distribution Panel, Power Kit Console, or RJ45 CAN bus terminator. Both ports **MUST** be connected to stabilize communication throughout the system. **Not doing so will cause the system to malfunction.**